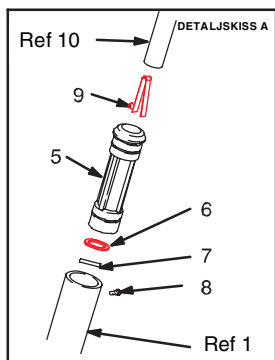
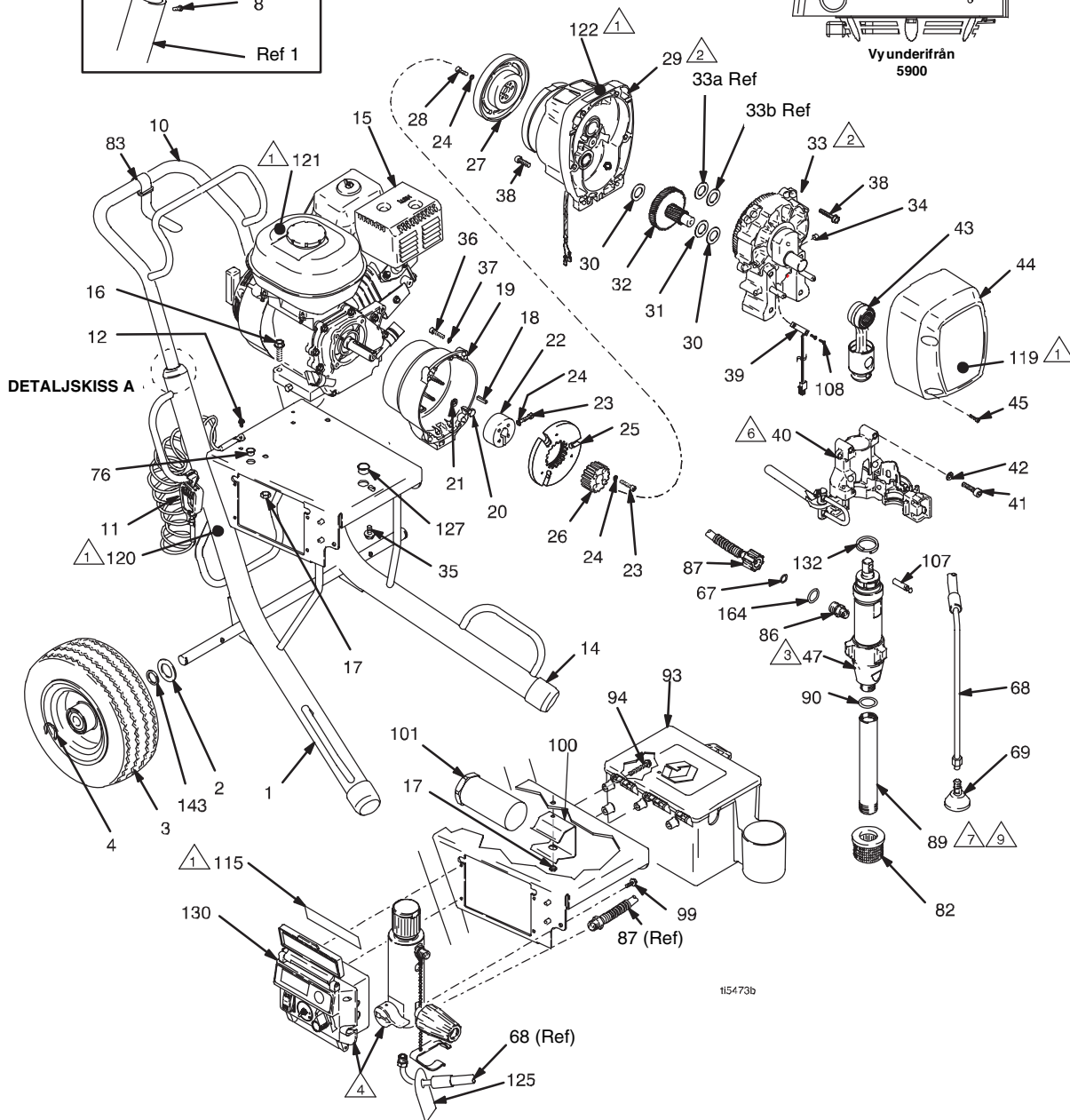
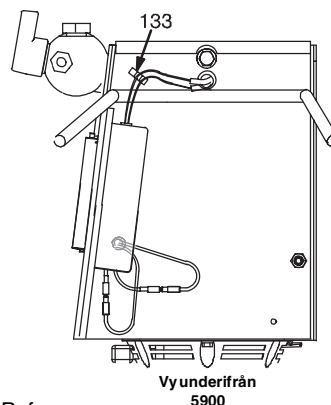


# Sprängskiss GMAX II 5900/5900HD



- 1 Etikett.
- 2 Reservdelar, se sidan 26.
- 3 Reservdelar, se handbok 310894.
- 4 Reservdelar, se sidan 28.
- 6 Reservdelar, se sidan 30.
- 7 Använd på High boys, för Low boy se sidan 27.
- 9 Används inte på 5900 HD.



115473b

## Reservdelslista GMAX II 5900/5900HD

Ref	Part	Description	Qty	Ref	Part	Description	Qty
				45	118444	SCREW, mach hex wash hd	4
1	287370	FRAME, cart (5900/7900)	1	47		PUMP, displacement	
2	156306	WASHER, flat	2		287513	(5900), includes 86, 89, 90	1
3	119509	WHEEL, pneumatic (5900/7900)	2		287579	(5900HD), includes 86	1
4	15E891	CLIP, retaining	2	67	111457	O-RING	1
5	191084	SLEEVE, cart (5900/7900)	2	68	244240	HOSE, coupled, includes 69	1
6	183350	WASHER	2	69	241920	DEFLECTOR, threaded	1
7	108068	PIN, spring straight	2	76	114678	BUSHING, strain relief	1
8	108795	SCREW, mach, pnh	5	82	189920	STRAINER, (1-11 1/2 npsm)	1
9	112827	BUTTON, snap	2	83	114271	STRAP, retaining	1
10	245245	HANDLE, cart	1	84	238049	FLUID, TSL, 4 oz (not shown)	1
11	237686	WIRE, ground assembly w/ clamp	1	86	15E802	FITTING, pump, quick disconnect	1
12	112798	SCREW, thread forming, hex hd	1	87	287419	HOSE, coupled	1
14	276974	CAP, leg	2	89	15E806	TUBE, INTAKE	1
15	114530	ENGINE, gas, 5.5 hp, (5900)	1	90	118494	O-RING	1
16	110837	SCREW, flange, hex	2	93*	287253	TOOL BOX, includes 94	1
17	110838	NUT, lock	2	94*	118852	SCREW, machine, hex washer hd	3
18	183401	KEY, parallel	1	99	113161	SCREW, flange, hex hd	3
19	15E277	HOUSING, clutch, mach (5900/7900)	1	100	15E736	BRACKET, holder, manual	1
				101	119510	HOLDER, manual	1
20	108842	SCREW, cap, hex hd	4	107	15F110	PIN, pump (5900)	1
21	100214	WASHER, lock	4	108*	114528	SCREW, MACH, PHILLIPS, PNHD	2
22	193680	COLLAR, shaft	1	115	15E854	LABEL, identification	1
23†	108803	SCREW, hex, socket head	6	119		LABEL, identification	
24†	105510	WASHER, lock, spring (hi-collar)	10		15E852	(5900)	1
25†		ARMATURE, clutch, 5 in. (5900/7900)	1		15E980	(5900HD)	1
				120▲	15F638	LABEL, warning	1
26†	193510	HUB, armature	1	121▲	194126	LABEL, warning	1
27†		ROTOR, clutch, 5 in. (5900/7900)	1	122	290228	LABEL, caution	1
28†	101682	SCREW, cap, sch	4	125▲	195119	LABEL, warning	1
29	287465	HOUSING, pinion, 5900	1	127	119569	BUSHING, strain relief	1
30	114672	WASHER, thrust (brass)	2	130		BOX, control	1
31	114699	WASHER, thrust (steel)	1	*	287648	Premium	1
32	287460	GEAR, combination (5900)	1		287649	Standard	1
33	287469	HOUSING, drive (5900)	1	132	119778	SPRING, RETAINING (5900)	1
34	116618	MAGNET	1	133	114687	CLIP, RETAINER	1
35	112395	SCREW, cap, flnghd	1	134*	15F354	FUNNEL, OIL (shown on page 5)	1
36	102962	SCREW, cap sch (5900/7900)	4	143	116038	WASHER, wave spring	2
37	104008	WASHER, lock, spring (5900/7900)	4	164	119790	O-RING	1
38	15C753	SCREW, mach hex hd (5900/7900)	6				
39*	119562	SWITCH, reed w/connector	1	▲		Ersättningsetiketter, -skyltar och -kort kan beställas kostnadsfritt	
40	287523	HOUSING, bearing (5900)	1	*		Endast Premium-sprutor	
41	114666	SCREW, cap, socket hd	4	†		Ingår i reservdelsset 241113 för koppling	
42	106115	WASHER, lock spring (hi-collar)	4				
43	287472	ROD, connecting (5900)	1				
44	287511	COVER, front, (5900), includes 45	1				

# Parts – Pump 287513

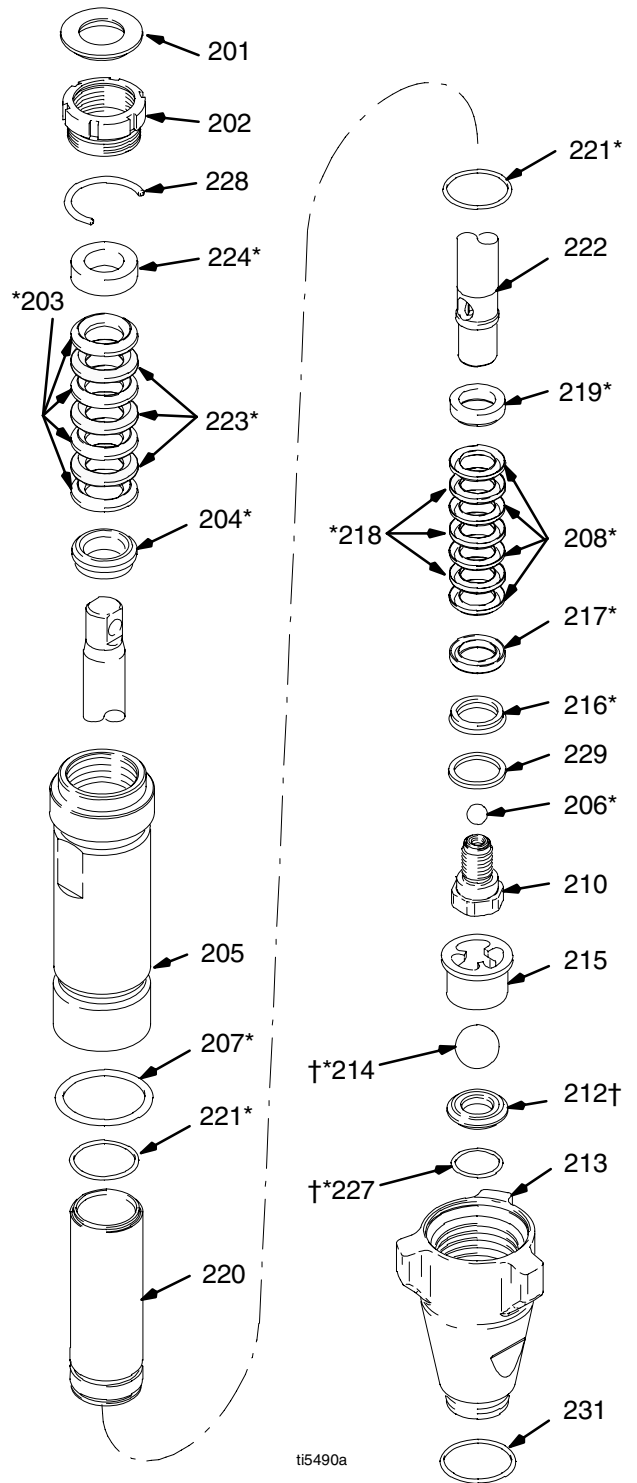
## Model 287513, Series A

Ref No.	Part No.	Description	Qty.
201	183171	PLUG	1
202	193032	NUT, packing	1
203*	193124	V-PACKING, throat, V-Max™ UHMWPE, blue	4
204*	15C989	GLAND, male, throat	1
205	287552	CYLINDER, pump	1
206*	101947	BALL, sst, 0.3125 in.	1
207*	106556	PACKING, o-ring	1
208*	193125	V-PACKING, piston V-Max™ UHMWPE, blue	4
210	240150	VALVE, piston	1
212†	244199	KIT, seat, carbide includes 214 and 227	1
213	15E654	VALVE, intake (foot)	1
214*†	102972	BALL, metallic	1
215	193027	GUIDE, ball	1
216*	118504	WIPER, piston	1
217*	183185	GLAND, female, piston	1
218*	15E329	V-PACKING, leather, piston	3
219*	183178	GLAND, male	1
220	248210	SLEEVE, cylinder	1
221*	107098	PACKING, o-ring	2
222	248207	ROD, piston	1
223*	183175	V-PACKING, leather, throat	3
224*	15C990	GLAND, packing	1
227*†	108526	PACKING, o-ring	1
228	193127	SPACER, nut	1
229*	15C998	WASHER, backup	1
230††	15E802	FITTING, pump (not shown)	1
231	118494	O-RING, Viton	1
232††	15E806	TUBE, intake (not shown)	1

\* These parts are also included in Repair Kit 248213, which may be purchased separately.

† These parts are also included in Carbide Seat Kit 244199, which may be purchased separately.

†† These parts are included with pump 287513.



ti5490a

# Parts – Pump 287579

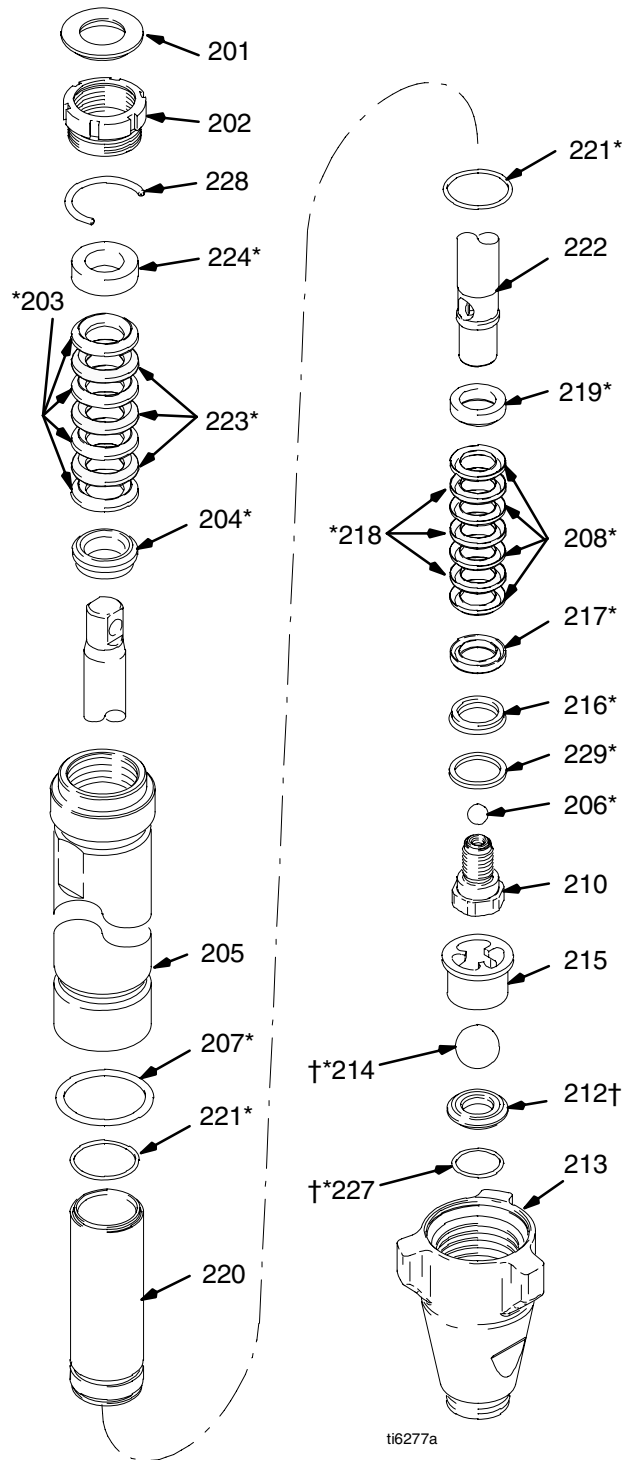
## Model 287579, Series A

Ref No.	Part No.	Description	Qty.
201	183171	PLUG	1
202	193032	NUT, packing	1
203*	193124	V-PACKING, throat, V-Max™ UHMWPE, blue	4
204*	15C989	GLAND, male, throat	1
205	287581	CYLINDER, pump	1
206*	101947	BALL, bearing	1
207*	106556	PACKING, o-ring	1
208*	193125	V-PACKING, piston V-Max™ UHMWPE, blue	4
210	240150	VALVE, piston	1
212†	244199	KIT, seat, carbide includes 214 and 227	1
213	196753	VALVE, intake (foot)	1
214*†	102972	BALL, metallic	1
215	196967	GUIDE, ball	1
216*	118504	WIPER, piston	1
217*	183185	GLAND, female, piston	1
218*	15E329	V-PACKING, leather, piston	3
219*	183178	GLAND, male	1
220	248210	SLEEVE, cylinder	1
221*	107098	PACKING, o-ring	2
222	249028	ROD, piston	1
223*	183175	V-PACKING, leather, throat	3
224*	15C990	GLAND, packing	1
227*†	108526	PACKING, o-ring	1
228	193127	SPACER, nut	1
229*	15C998	WASHER, backup	1
230††	15E802	FITTING, pump (not shown)	1

\* These parts are also included in Repair Kit 248213, which may be purchased separately.

† These parts are also included in Carbide Seat Kit 244199, which may be purchased separately.

†† These parts are included with pump 287579.



ti6277a

# Sprängskiss och reservdelista – pinjonghus, växlehus

## Ref 29: Pinjonghus

GMAX II 3900: 287463

GMAX II 5900: 287465

GMAX II 7900: 287466

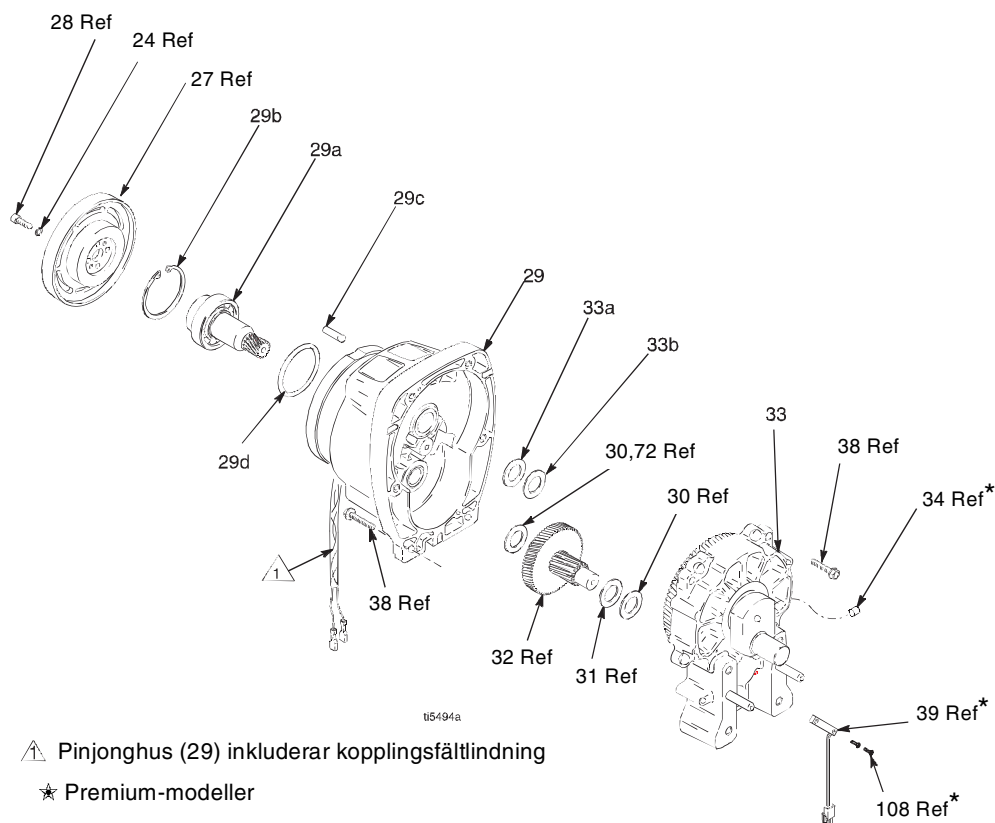
## Ref 33: Växlehus

GMAX II 3900: 287467

GMAX II 5900: 287469

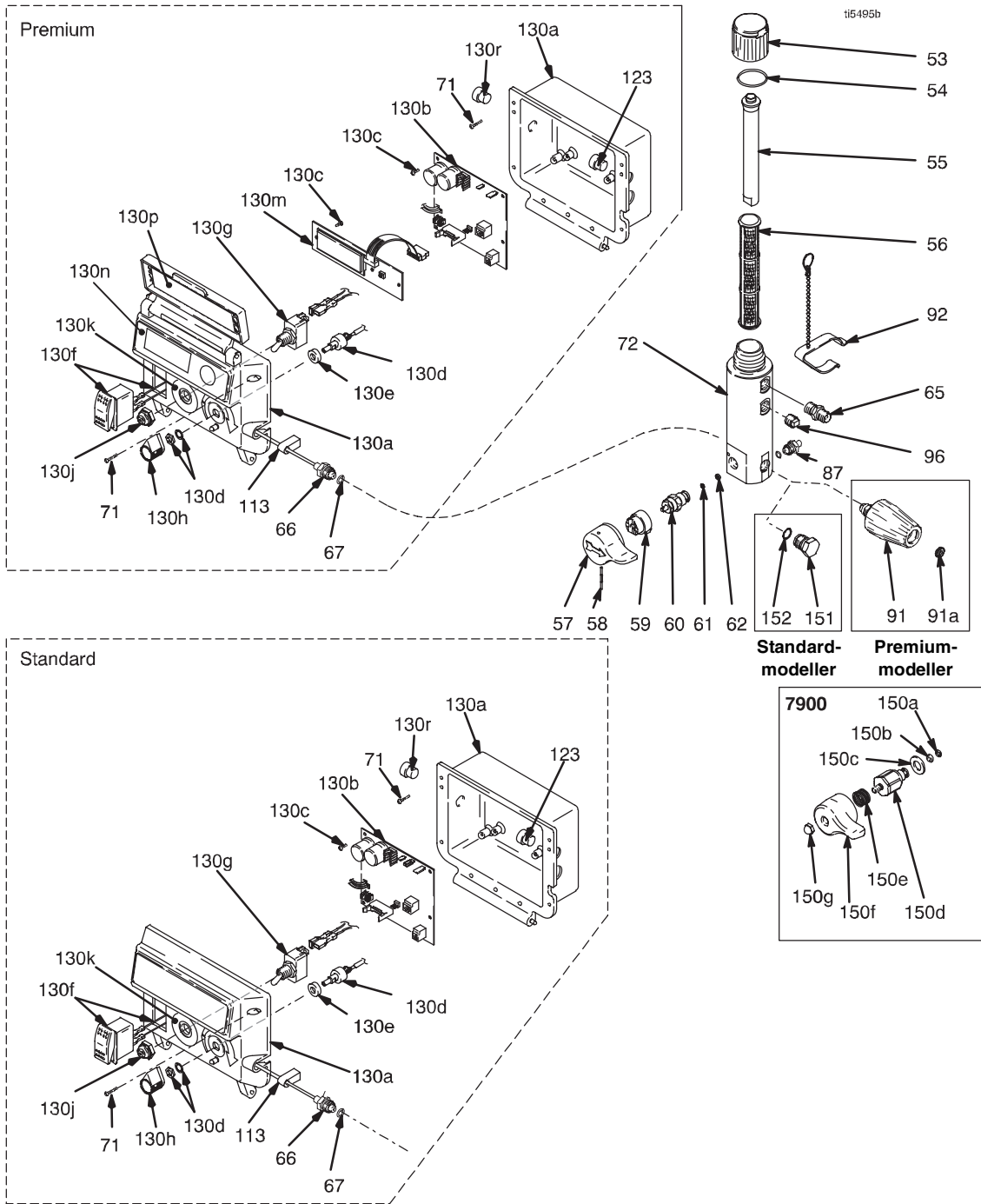
GMAX II 7900: 287470

Ref	Part	Description	Qty	Ref	Part	Description	Qty
29		KIT, repair, field		33		DRIVE HOUSING	1
	287474	3900	1	33a		WASHER, thrust, steel	
	287476	5900	1		116191	3900	1
	287477	7900	1		116192	5900/7900	1
29a		GEAR, driving, first		33b		WASHER, thrust, brass	
	287525	3900	1		107089	3900	1
	241114	5900/7900	1		194173	5900/7900	1
29b		RING, retaining, large					
	113094	3900	1				
	112770	5900/7900	1				
29c	105489	PIN, dowel	2				
29d		O-RING					
	165295	3900	1				
	114683	5900/7900	1				
33a		WASHER, thrust, steel					
	116191	3900	1				
	116192	5900/7900	1				



# Sprängskiss tryckreglering och filter

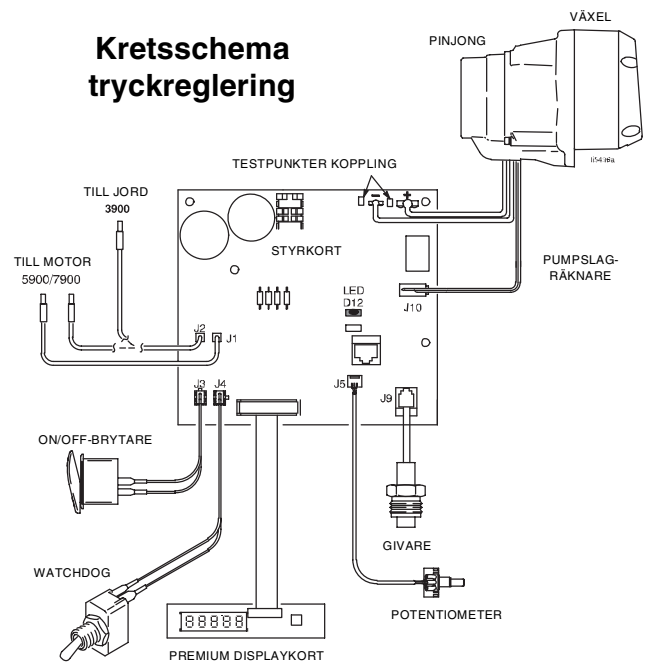
Alla modeller



## Reservdelslista tryckreglering och filter

REF	PART	DESCRIPTION	QTY	REF	PART	DESCRIPTION	QTY
		Filter Replacement Kit		150b†◆	193709	SEAT, valve	1
	287510	3900/5900		150c†◆	114797	GASKET	1
	287517	7900		150d†◆		VALVE	1
53*†	15C765	CAP, filter	1	150e†	114708	SPRING, compression	1
54*†	117285	O-RING	1	150f†	194102	HANDLE, valve	1
55*†	15C766	TUBE, diffusion	1	150†g	114688	NUT, cap, hex, hd	1
56*†	244067	FILTER, fluid	1	151	248314	PLUG, (Standard) includes 152	1
57*	15C780	HANDLE	1	152	15D541	O-RING, Standard)	1
58*	15C972	PIN, grooved	1	*		Ingår i utbytessats 287510 för filter	
59*	224807	BASE, valve	1	†		Ingår i utbytessats 287517 för filter	
60*‡	235014	VALVE, drain, replacement kit	1	‡		Ingår i utbytessats 235014 för dräneringskran	
61*‡	15E022	SEAT, valve	1	◆		Ingår i utbytessats 245103 för dräneringskran	
62*‡	111699	GASKET, seat, valve	1	★		Endast Premium-modeller	
65*	164672	ADAPTER (3900/5900)	1				
†	162485	ADAPTER (7900)	1				
66*†	243222	TRANSDUCER, pressure contl	1				
67*†	111457	O-RING	1				
71	116585	SCREW, mach, pnh, sems	6				
72*†	15E284	HOUSING, filter	1				
87	287419	HOSE, coupled	1				
91★	287293	VALVE, auto clean, includes 91a	1				
91a★	115524	GASKET	1				
92★	244346	KIT, repair, clamp, trigger	1				
96*†	104813	PLUG, pipe	1				
113	15E925	GASKET, TRANSDUCER	1				
123	119545	BUSHING, strain, relief	1				
130		<b>Control Box</b>					
130a★	287648	Premium	1				
130a	287649	Standard	1				
130b	287516	CONTROL, board	1				
130c	117317	SCREW, pan head	4				
130d	241443	POTENTIOMETER	1				
130e	198650	SPACER, shaft	1				
130f	116752	SWITCH, rocker	1				
130g	119541	SWITCH, toggle	1				
130h	116167	KNOB, potentiometer	1				
130j	195428	BOOT, toggle	1				
130k	15E857	LABEL, identification	1				
130m★	287515	DISPLAY, LCD, GMAX	1				
130n★	15E855	LABEL	1				
130p	15E858	LABEL, identification	1				
130r	119545	BUSHING, strain relief	1				
150		DRAIN VALVE (7900)					
150a†◆	193710	SEAL, valve	1				

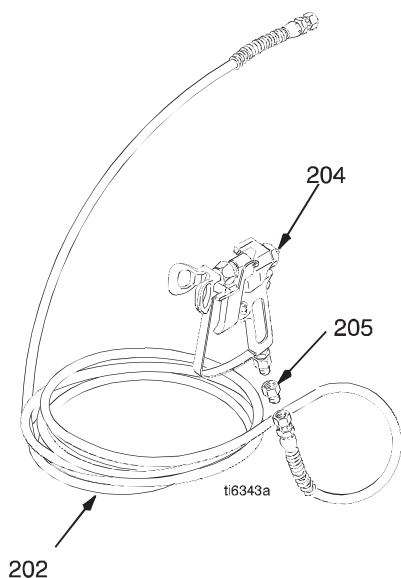
## Krettschema tryckreglering



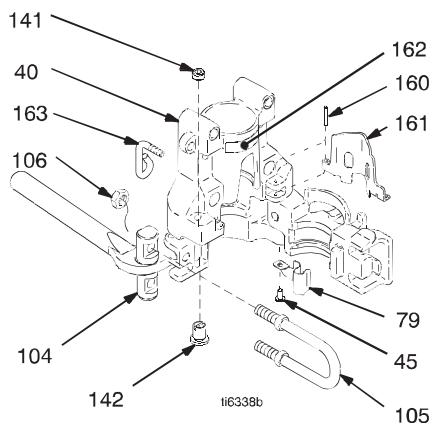
## Reservdelar – sprutor, RAC™ X-munstycke, pistol och slang

Modellerna 248685, 248686, 248689, 248690, 248702, 249703

Innehåller detaljerna 201 till 204 eller 205



### Ref 40: Lagerhus



Ref	Part	Description	Qty
201	248686	Hi-Boy Sprayer (3900) See parts list on page 20	1
	248690	Hi-Boy Sprayer (5900) See parts list on page 22	1
	248703	Hi-Boy Sprayer (7900) See parts list on page 24	1
	248685	Lo-Boy Sprayer (3900) See parts list on page 20, 27	1
	248689	Lo-Boy Sprayer (5900) See parts list on page 22, 27	1
	248702	Lo-Boy Sprayer (7900) See parts list on page 24, 27	1
202	240794	HOSE, grounded, nylon; 1/4 in. ID; cpld 1/4 npsm(fbe); 50 ft (15 m); spring guards both ends; 3300 psi (228 bar, 22.8 MPa) (3900/5900)	1
	240797	HOSE, grounded, nylon; 3/8 in. ID; cpld 1/4 npsm(fbe); 50 ft (15 m); spring guards both ends; 3300 psi (228 bar, 22.8 MPa) (5900HD/7900)	1
204	246220	CONTRACTOR II SPRAY GUN Includes RAC X 517-size SwitchTip and HandTite Guard. See 309639 for parts. (3900/5900/7900)	1
	241705	TEXTURE SPRAY GUN Includes GHD527 SwitchTip and Guard. See 308491 for parts. (5900HD)	1
205	159841	BUSHING, 3/8 x 1/4 in. (5900HD/7900)	1

Ref	Part	Description	Qty
40		HOUSING, bearing	
45	118444	SCREW, mach hex wash hd	1
79	15E975	CLIP, spring	1
104		PIN, housing, bearing	
	15E779	3900	1
	15E625	5900/7900	1
105		LATCH, housing, bearing	
	15E765	3900	1
	15E687	5900/7900	1
106		NUT, lock hex	
	102040	3900	1
	111040	5900/7900	1
141	15F503	SCREW, set, socket hd	1
142	15F498	SCREW, adjustment	1
160		PIN	
	101579	3900/7900	1
	119284	5900	1
161		SHIELD	
	15F384	3900	1
	15F386	5900	1
	15F383	7900	1
162	187436	LABEL, torque	1
163	15F116	LATCH	1